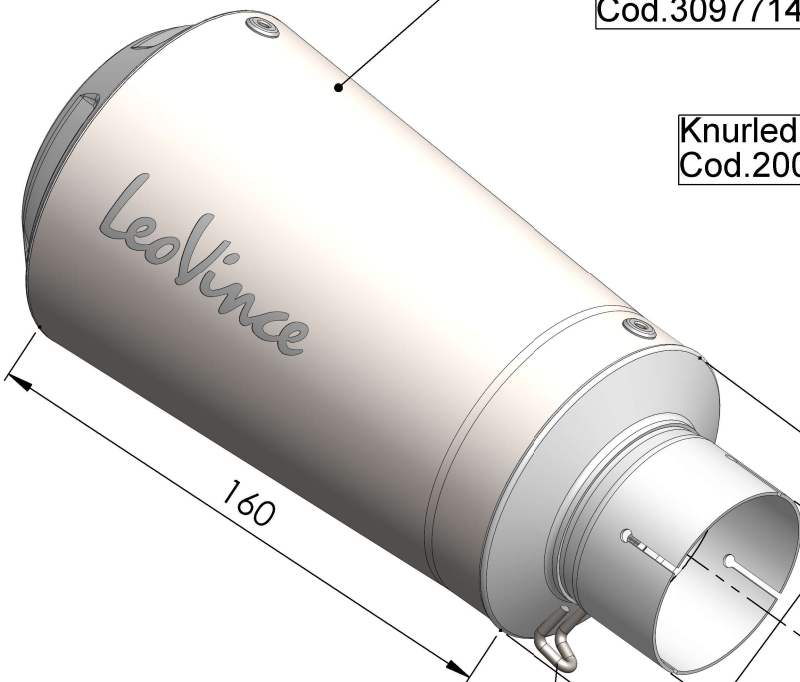


Extra nuts to be used with original bolts that mount the original exhaust hanger bracket. This will allow you to remove the original hanger bracket but re-use the bolts as to not leave empty holes once the bracket is removed.

Knurled collar nut M6
Cod.200322

LV10 Silencer RHS
TITANIUM $\phi 54$
Cod.309771481

Knurled collar nut M8
Cod.200298



Strap-in $\phi 57$
Stainless Steel
Cod.300057530

Short helical spring
tensile
Cod.303949001

Stainless Steel
Bracket
Cod.3015201501

ART. 15201T

YAMAHA R1

SLIP-ON - LV10 - TITANIUM